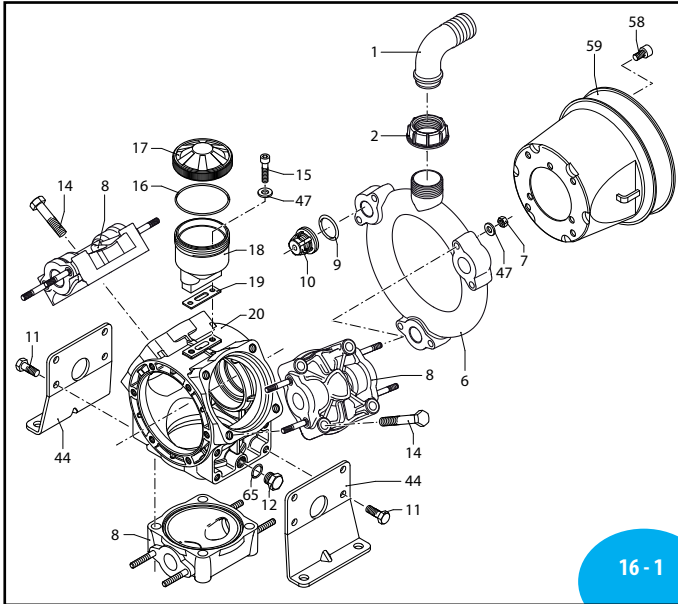
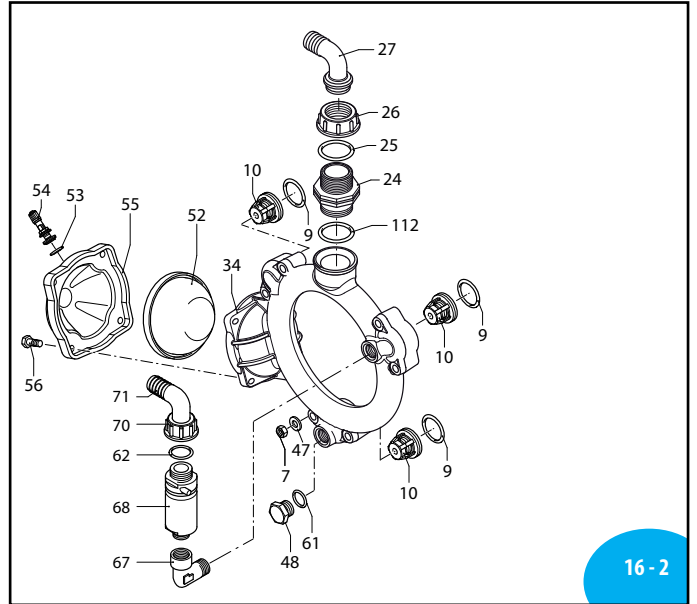


AR 125 bp - AR 145 bp



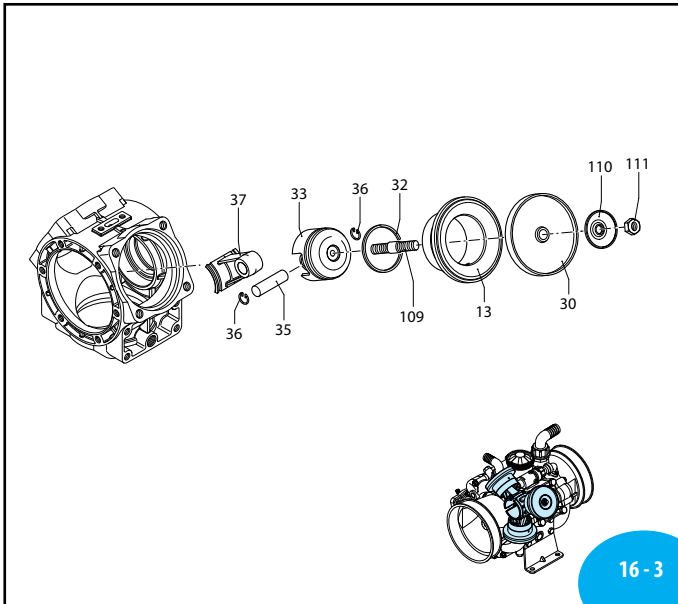
16 - 1

SLO00332-EU



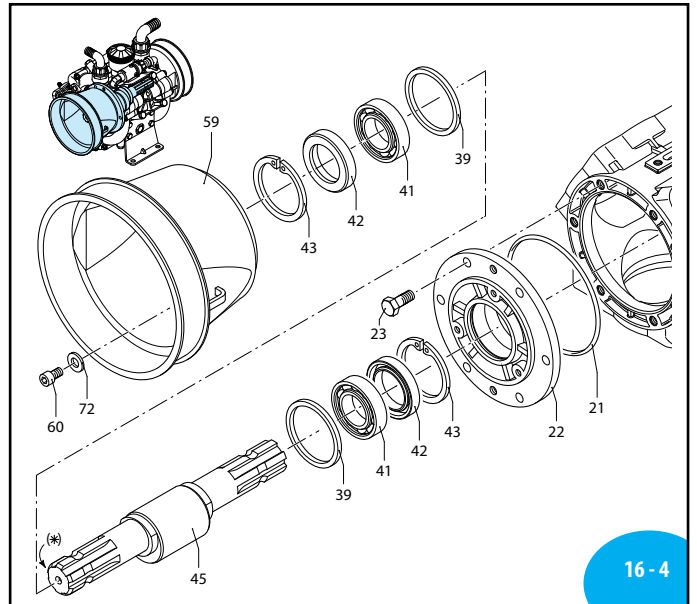
16 - 2

UN000658-ND



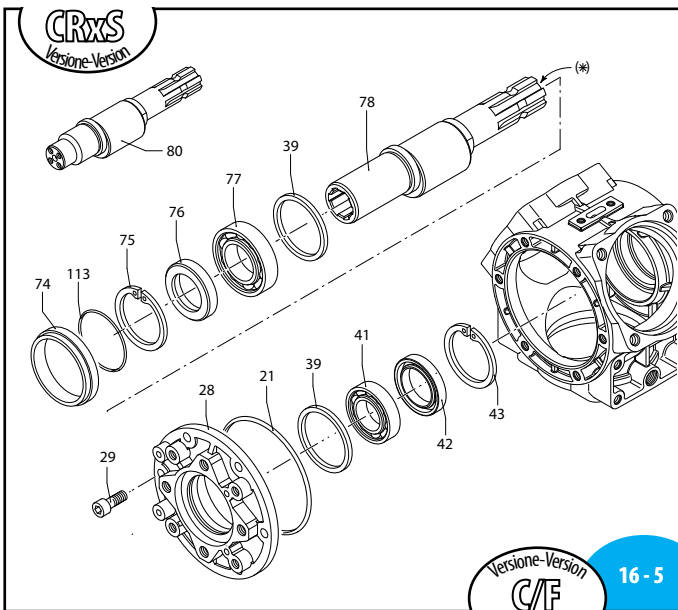
16 - 3

SLO00127-EX



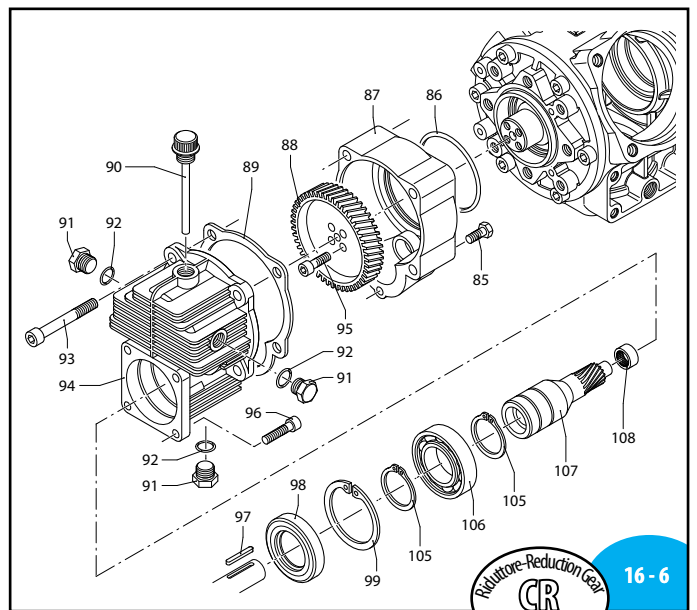
16 - 4

UN000660-IB



16 - 5

UN000661-IB



16 - 6

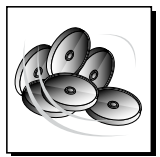
UN000662-IB

AR 125 bp - AR 145 bp

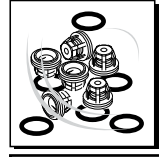
Pos. 序号	Cod. 编号	Description	描述	Q.ty 数量	Note 备注
1	50267	Elbow	弯管	1	
2	750670	Ring nut 1"1/2 G	环形螺母	1	
5	390290	O-Ring	O型圈	1	▶
6	2420390	Suction manifold	抽吸歧管	1	
7	380242	Nut M 8	螺母 M8	12	Geomet C ₂₀
8	751350	Head	泵头	3	
9	680070	O-Ring	O型圈	6	90 Sh ▶
10	759051	Complete valve	单向阀	6	
11	620341	Bolt M 10x20	螺丝 M10x20	8	☛ C ₂₀
12	880530	Plug 3/8" G	插头	1	C ₂₀
13	750110	Sleeve	套筒	3	AR 125 bp
13	750115	Sleeve	套筒	4	AR 145 bp
14	750061	Bolt M 12x65	螺丝 M12x65	12	Geomet C ₅₀
15	680350	Bolt M 8x35	螺丝 M8x35	2	C ₁₀
16	1040060	O-Ring	O型圈	1	▶
17	750057	Black oil tank cap	黑色机油箱盖	1	AR 125 bp
17	750052	Red oil tank cap	红色机油箱盖	1	AR 145 bp
18	750030	Oil tank	机油箱	1	
19	750040	Gasket	垫片	1	☛
20	2420010	Pump body	泵体	1	
21	851360	O-Ring	O型圈	1	▶
22	680020	Shaft support	轴支撑盘	1	☛ ☒
23	160672	Bolt M 10x25	螺丝 M10x25	6	Geomet ☛ C ₄₀
24	760860	Threaded adapter	螺口连接器	1	
25	550040	O-Ring	O型圈	1	▶
26	651100	Ring nut 1"1/4 G	环形螺母	1	
27	651460	Elbow	弯管	1	
28	2420181	Shaft support	轴支撑盘	1	
29	160671	Bolt M 10x25	螺丝 M10x25	6	☒ C ₃₅
30	550080	Diaphragm	隔膜	3	Gomma
31	550084	Diaphragm	隔膜	3	Viton
32	550085	Diaphragm	隔膜	3	Desmopan
33	550086	Diaphragm	隔膜	3	H.P.D.S.
32	500260	Piston ring	柱塞环	3	
33	750122	Piston	柱塞	3	
34	2420400	Manifold	歧管	1	
35	160700	Pin	插针	3	
36	160691	Pin ring	插针圈	6	
37	2420070	Connecting rod	连杆	3	
39	2420080	Con rod ring	连杆环	2	
41	230350	Bearing	支撑	2	☒
42	160740	Seal ring	密封圈	2	☒
43	200390	Circlip	卡簧	2	
44	2420041	Base	底座	2	
45	2420060	"C/C" shaft	"C/C" 轴	1	AR 125 bp (BB)
45	2420050	"C/C" shaft	"C/C" 轴	1	AR 145 bp (AW)
47	380243	Washer	垫圈	14	Geomet
48	330173	Plug 1/2" G	插头	1	▶ C ₄₀
49	550190	Semi air chamber	半空气室	1	Gomma
50	550191	Semi air chamber	半空气室	1	Saturflon
51	550192	Semi air chamber	半空气室	1	Viton
52	550193	Semi air chamber	半空气室	1	H.P.D.S.
53	650542	Gasket	垫片	1	
54	550300	Air valve	空气阀	1	

Pos. 序号	Cod. 编号	Description	描述	Q.ty 数量	Note 备注
55	550233	Upper air chamber	升压气室	1	
56	550680	Bolt M 8x20	螺丝 M8x20	4	C ₂₀
58	820670	Bolt M 10x16	螺丝 M10x16	4	
59	1500470	Cardan protection	万向防护罩	2	
60	850251	Bolt M 8x12	螺丝 M8x12	3	Geomet C ₁₀
61	180101	O-Ring	O型圈	2	
62	1150640	O-Ring	O型圈	1	
65	740290	O-Ring	O型圈	1	
67	881560	Elbow	弯管	1	☒
68	1609000	Safety valve	安全阀	1	☒
69	880831	O-Ring	O型圈	1	Viton ▶
70	550450	Ring nut 3/4" G	环型螺母	1	
71	550460	Elbow	弯管	1	
72	390314	Washer	垫圈	3	Geomet
74	2420250	Bushing	套管	1	
75	620330	Circlip	卡簧	1	
76	1800090	Seal ring	密封圈	1	☒
77	230310	Bearing	轴承	1	☒
78	2420200	"C/F" shaft	"C/F" 轴	1	AR 125 bp (BM)
78	2420190	"C/F" shaft	"C/F" 轴	1	AR 145 bp (BL)
78	2420300	"CRxS" shaft	"CRxS" 轴	1	AR 125 bp (BD)
78	2420270	"CRxS" shaft	"CRxS" 轴	1	AR 145 bp (BC)
85	180432	Bolt M 8x20	螺丝 M8x20	1	C ₂₀
86	620561	O-Ring	O型圈	1	▶
87	621000	Gear cap	齿轮盖	1	
88	550930	Gear	齿轮	1	Z=64
89	620950	Gasket	垫片	1	
90	1140370	Oil plug & O-ring	机油插头 & O型圈	1	C ₂₀
91	1980740	Plug 3/8" G	插头	3	Ottone/Brass ☛ C ₄₀
92	740290	O-Ring	O型圈	3	▶
93	621010	Bolt M 10x75	螺丝 M10x75	4	☛ C ₄₀
94	620960	Gear box	齿轮箱	1	
95	540290	Bolt M 8x25	螺丝 M8x25	4	☛ C ₂₀
96	651000	Bolt	螺丝	4	5/16"x24UNFx1" C ₂₀
97	881090	Key	键	1	
98	961800	Seal ring	密封圈	1	☒
99	961790	Circlip	卡簧	1	
105	320240	Circlip	卡簧	2	
106	961780	Bearing	轴承	1	☒
107	621660	Pinion	输出轴	1	Z=11
108	620990	Bearing	轴承	1	☒
109	2240100	Stud	柱	3	☒ C ₃₇
110	751250	Plate	金属片	3	
111	2240110	Nut	螺母	3	☛ C ₃₀
112	390210	O-Ring	O型圈	1	▶
113	580230	O-Ring	O型圈	1	▶

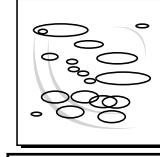
Low Pressure
低压



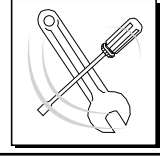
KIT 2367	
Buna diaphragms 丁纳橡胶隔膜	
KIT 2368	
HPDS diaphragms HPDS 隔膜	
KIT 2369	
Desmopan diaphragms 德国拜耳隔膜	
Pos. 序号	Q.ty 数量
30	3



KIT 2445	
Valves 单向阀	
Pos. 序号	Q.ty 数量
9	6
10	6



KIT 2462	
O-Rings O型圈	
Pos. 序号	Q.ty 数量
5	3
9	6
16	1
25	1
61	2
65	1
86	1

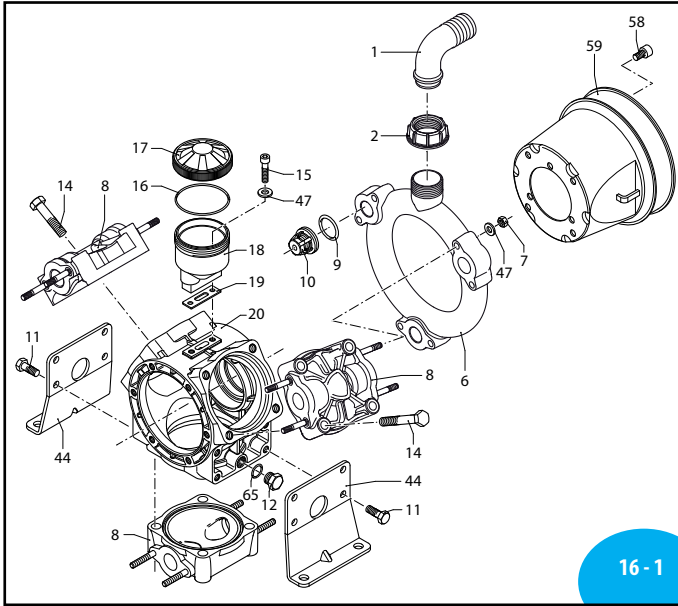


KIT 2463					
Maintenance repair 维修工具					
Pos. 序号	Q.ty 数量	Pos. 序号	Q.ty 数量	Pos. 序号	Q.ty 数量
1	1	17	1	27	1
2	1	18	1	30	3
4	1	19	1	42	2
5	3	21	1	52	1
9	6	24	1	109	2
10	6	25	1	110	2
16	1	26	1	111	2



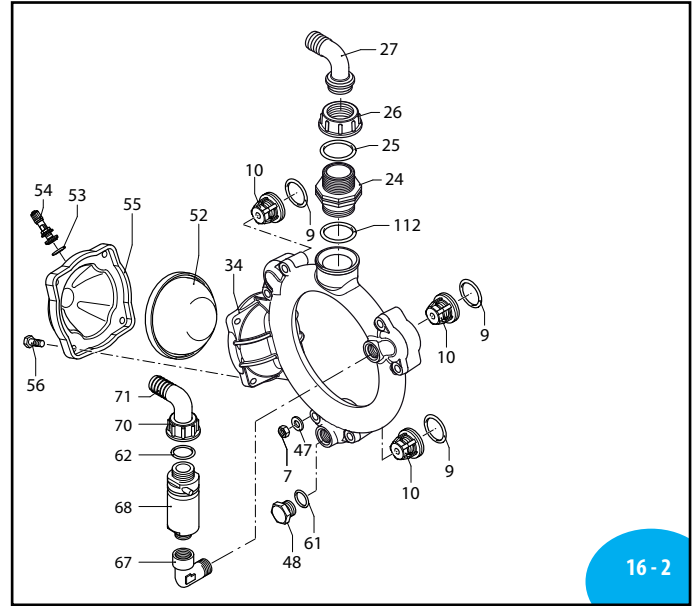
Used oil 使用机油	
Type / 类型	Kg
SAE 30	1,2

AR 125 bp - AR 145 bp



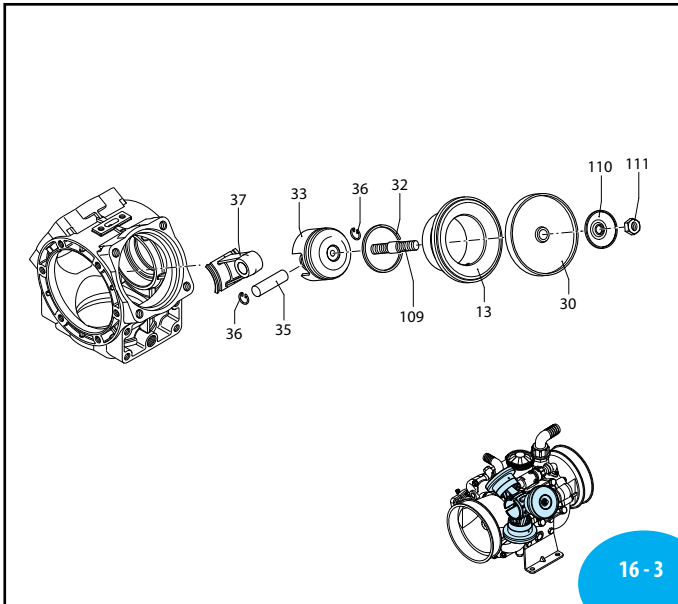
16 - 1

SLO00332-EU



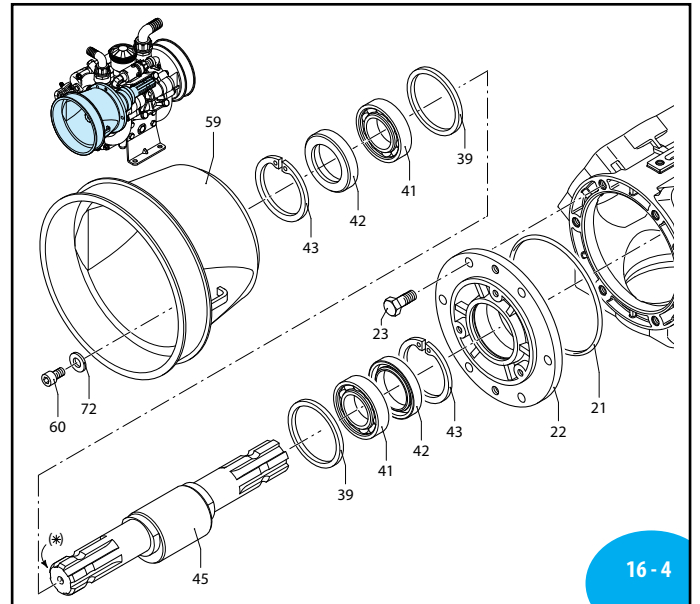
16 - 2

UN000658-ND



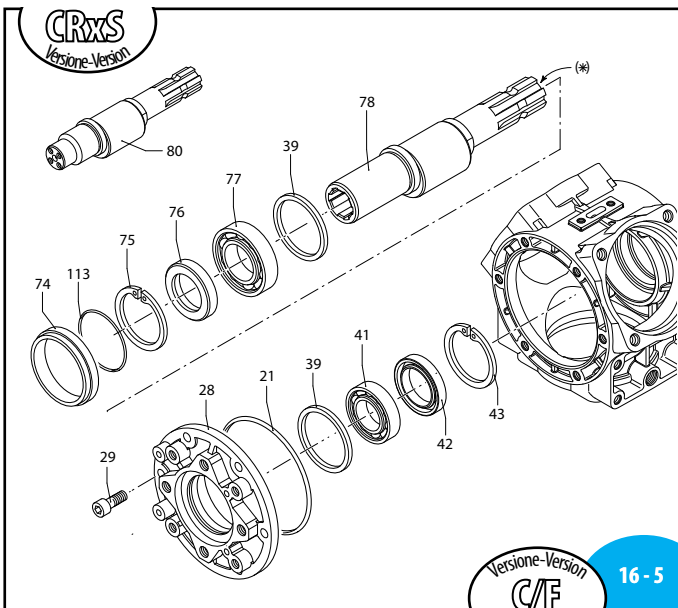
16 - 3

SLO00127-EX



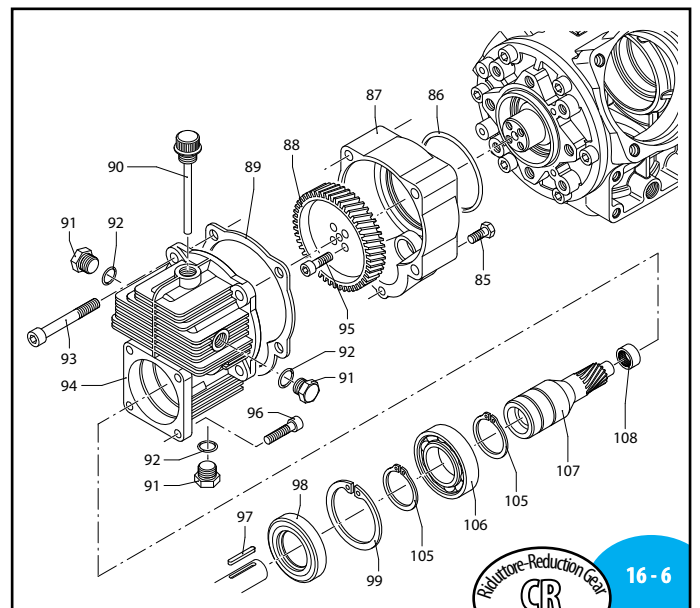
16 - 4

UN000660-IB



16 - 5

UN000661-IB



16 - 6

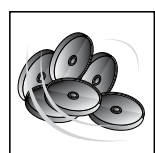
UN000662-IB

AR 125 bp - AR 145 bp

Pos.	Cod.	Descrizione	Description	Q.ty	Note
1	50267	Curva ø 40	Elbow	1	
2	750670	Girello 1"1/2 G	Ring nut	1	
5	390290	OR ø 29x3	O-Ring	1	▶
6	2420390	Condotto aspirazione	Suction manifold	1	
7	380242	Dado M 8	Nut	12	Geomet C ₂₀
8	751350	Testa porta valvole	Head	3	
9	680070	OR ø 31,5x4,25	O-Ring	6	90 Sh ▶
10	759051	Valvola completa	Complete valve	6	
11	620341	Vite TE M 10x20	Bolt	8	☉ C ₂₀
12	880530	Tappo 3/8" G	Plug	1	C ₂₀
13	750110	Camicia	Sleeve	3	AR 125 bp
	750115	Camicia	Sleeve	4	AR 145 bp
14	750061	Vite TE M 12x65	Bolt	12	Geomet C ₅₀
15	680350	Vite TCEI M 8x35	Bolt	2	C ₁₀
16	1040060	OR ø 72,69x2,62	O-Ring	1	▶
17	750057	Tappo serbatoio nero	Black oil tank cap	1	AR 125 bp
	750052	Tappo serbatoio rosso	Red oil tank cap	1	AR 145 bp
18	750030	Serbatoio olio	Oil tank	1	
19	750040	Guarnizione serbatoio	Gasket	1	☒
20	2420010	Corpo pompa	Pump body	1	
21	851360	OR ø 120,32x2,62	O-Ring	1	▶
22	680020	Supporto albero	Shaft support	1	☒
23	160672	Vite TE M 10x25	Bolt	6	Geomet ☉ C ₄₀
24	760860	Nipples 1"1/4 G (M-M)	Threaded adapter	1	
25	550040	OR ø 26,65x2,62	O-Ring	1	▶
26	651100	Girello 1"1/4 G	Ring nut	1	
27	651460	Curva	Elbow	1	
28	2420181	Supporto albero	Shaft support	1	
29	160671	Vite TCEI M 10x25	Bolt	6	☒ C ₃₅
	550080	Membrana	Diaphragm	3	Gomma
	550084	Membrana	Diaphragm	3	Viton
	550085	Membrana	Diaphragm	3	Desmopan
	550086	Membrana	Diaphragm	3	H.P.D.S.
32	500260	Segmento	Piston ring	3	
33	750122	Pistone	Piston	3	
34	2420400	Condotto mandata	Manifold	1	
35	160700	Spinotto	Pin	3	
36	160691	Anellino spinotto	Pin ring	6	
37	2420070	Biella	Connecting rod	3	
39	2420080	Anello biella	Con rod ring	2	
41	230350	Cuscinetto	Bearing	2	☒
42	160740	Anello tenuta	Seal ring	2	☒
43	200390	Anello seeger	Circlip	2	
44	2420041	Piede	Base	2	
45	2420060	Albero eccentrico "C/C"	"C/C" shaft	1	AR 125 bp (BB)
	2420050	Albero eccentrico "C/C"	"C/C" shaft	1	AR 145 bp (AW)
47	380243	Rosetta øi 8,5	Washer	14	Geomet
48	330173	Tappo 1/2" G	Plug	1	▶ C ₄₀
	550190	Semicamera aria	Semi air chamber	1	Gomma
	550191	Semicamera aria	Semi air chamber	1	Saturflon
	550192	Semicamera aria	Semi air chamber	1	Viton
	550193	Semicamera aria	Semi air chamber	1	H.P.D.S.
53	650542	Guarnizione	Gasket	1	
54	550300	Valvola di gonfiaggio	Air valve	1	

Pos.	Cod.	Descrizione	Description	Q.ty	Note
55	550233	Semisfera superiore	Upper air chamber	1	
56	550680	Vite TE M 8x20	Bolt	4	C ₂₀
58	820670	Vite TCEI M 10x16	Bolt	4	
59	1500470	Protezione cardano	Cardan protection	2	
60	850251	Vite TCEI M 8x12	Bolt	3	Geomet C ₁₀
61	180101	OR ø 17,5x2	O-Ring	2	
62	1150640	OR ø 17x3,5	O-Ring	1	
65	740290	OR ø 14x1,78	O-Ring	1	
67	881560	Gomito 90° 1/2"G (M)-(F)	Elbow	1	☒
68	1609000	Valvola di sicurezza	Safety valve	1	☒
69	880831	OR ø 15,54x2,62	O-Ring	1	Viton ▶
70	550450	Girello 3/4" G	Ring nut	1	
71	550460	Curva ø 18	Elbow	1	
72	390314	Rondella øi 8,5	Washer	3	Geomet
74	2420250	Anello centraggio	Bushing	1	
75	620330	Anello seeger	Circlip	1	
76	1800090	Anello tenuta	Seal ring	1	☒
77	230310	Cuscinetto	Bearing	1	☒
78	2420200	Albero eccentric. "C/F"	"C/F" shaft	1	AR 125 bp (BM)
	2420190	Albero eccentric. "C/F"	"C/F" shaft	1	AR 145 bp (BL)
	2420300	Albero eccentric. "CRxS"	"CRxS" shaft	1	AR 125 bp (BD)
	2420270	Albero eccentric. "CRxS"	"CRxS" shaft	1	AR 145 bp (BC)
85	180432	Vite TE M 8x20	Bolt	1	C ₂₀
86	620561	OR ø 78x2,5	O-Ring	1	▶
87	621000	Coperchio riduttore	Gear cap	1	
88	550930	Ruota dentata	Gear	1	Z= 64
89	620950	Guarnizione scatola	Gasket	1	
90	1140370	Tappo olio + OR	Oil plug + o-ring	1	C ₂₀
91	1980740	Tappo 3/8" G	Plug	3	Ottone/Brass ☉ C ₄₀
92	740290	OR ø 14x1,78	O-Ring	3	▶
93	621010	Vite TCEI M 10x75	Bolt	4	☉ C ₄₀
94	620960	Scatola riduttore	Gear box	1	
95	540290	Vite TCEI M 8x25	Bolt	4	☉ C ₂₀
96	651000	Vite TCEI 5/16"	Bolt	4	5/16"x24UNF x 1" C ₂₀
97	881090	Linguetta	Key	1	
98	961800	Anello tenuta	Seal ring	1	☒
99	961790	Anello seeger	Circlip	1	
105	320240	Anello seeger	Circlip	2	
106	961780	Cuscinetto	Bearing	1	☒
107	621660	Pignone	Pinion	1	Z= 11
108	620990	Cuscinetto	Bearing	1	☒
109	2240100	Prigioniero	Stud	3	☒ C ₃₇
110	751250	Piattello	Plate	3	
111	2240110	Dado	Nut	3	☉ C ₃₀
112	390210	OR ø 39,69x3,53	O-Ring	1	▶
113	580230	OR ø 69,52x2,62	O-Ring	1	▶

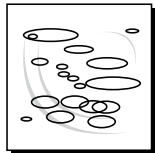
Bassa Pressione
Low Pressure



KIT 2367	
Membrane gomma Buna diaphragms	
KIT 2368	
Membrane HPDS HPDS diaphragms	
KIT 2369	
Membrane Desmopan Desmopan diaphragms	
Pos.	Q.ty
30	3



KIT 2445	
Valvole Valves	
Pos.	Q.ty
9	6
10	6



KIT 2462	
OR O-Rings	
Pos.	Q.ty
5	3
9	6
16	1
25	1
61	2
65	1
86	1



KIT 2463					
Pronto intervento Maintenance repair					
Pos.	Q.ty	Pos.	Q.ty	Pos.	Q.ty
1	1	17	1	27	1
2	1	18	1	30	3
4	1	19	1	42	2
5	3	21	1	52	1
9	6	24	1	109	2
10	6	25	1	110	2
16	1	26	1	111	2



Olivo utilizzato	
Used oil	
Tipo - Type	Kg
SAE 30	1,2